

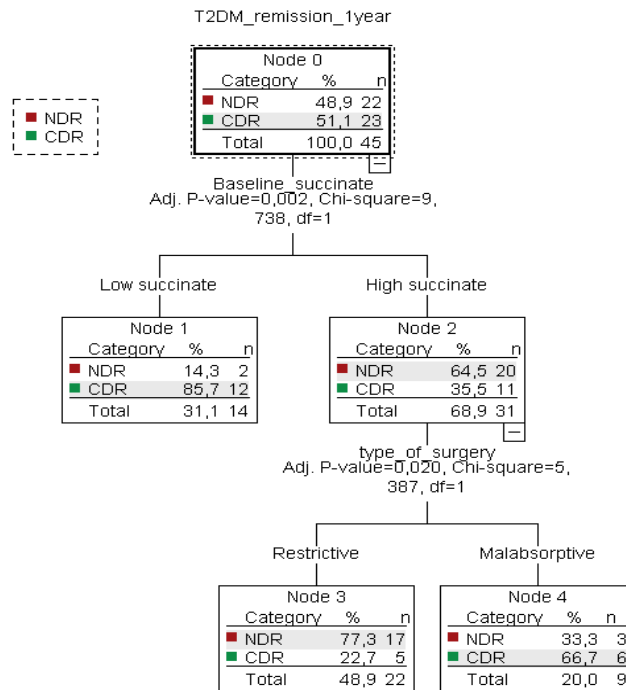
SUPPLEMENTARY DATA

Supplementary Table 1. Accuracy. Measured value (concentrations of succinate by fluorimetric assay), theoretical value and the percent error (theoretical-measured/theoretical x 100) of four samples (pre-quantified) with different concentrations of succinate standard added.

SAMPLE	SUCCINATE (µM)			ERROR (%)
	SUCCINATE (STANDARD) ADDED	MEASURED VALUE	THEORETICAL VALUE	
1	0	115.17	-	-
1	10	120.72	125.17	3.56
1	30	139.95	145.17	3.60
1	100	239.19	215.17	11.16
2	0	89.2	-	-
2	25	127.30	114.20	11.47
2	50	129.40	139.20	7.04
3	0	27.6	-	-
3	2,5	29,7	30.1	0.96
4	0	8.75	-	-
4	10	16.89	18.75	9.92

SUPPLEMENTARY DATA

Supplementary Figure 1. CART analysis. Classification and regression tree (CART) analysis for type 2 diabetes remission rates based on baseline succinate levels and type of surgery. Complete diabetes remission (CDR) and no diabetes remission (NDR) at 1 year after bariatric surgery.



SUPPLEMENTARY DATA

Supplementary Table 2. Baseline characteristics of patients included in the validation cohort.

n	88
Age (years)	52.6 (6.8)
Gender (M/F)	26/62
Type of surgery (n, %)	
RYGB	16 (18.1)
SG	72 (81.8)
Weight (kg)	115.5 (18.6)
BMI (kg/m ²)	44.1 (6.4)
Type 2 diabetes (n, %)	88 (100%)
Insulin (n, %)	27 (30.7%)
Glucose (mmol/L)	116 (97–151)
HbA1c (%)	6.7 (6.2–7.7)
Triglycerides (mmol/L)	137 (98–175)
HDL-cholesterol (mmol/L)	42 (37–47)
LDL-cholesterol (mmol/L)	94 (66–119)
1-year type 2 diabetes remission (n, %)	54 (62.1%)

Data are presented as mean (SD) or median (25th-75th percentiles), as appropriate. RYGB, Roux-en-Y gastric bypass; SG, sleeve gastrectomy; BMI, body mass index; HDL, high-density lipoprotein; LDL, low-density lipoprotein.